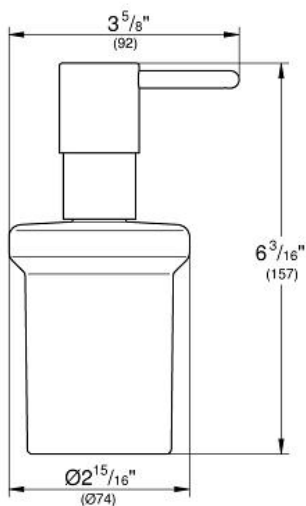


ESSENTIALS  
Soap Dispenser  
MODEL # 40394001

*Pure Freude an Wasser*



GROHE America, Inc | 200 North Gary Avenue, Suite G, Roselle, IL 60172  
Phone: +1 (800) 444-7643 | Fax: +1 (800) 225-2778 | us-customerservice@grohe.com



**Product Description:**  
**Soap Dispenser**

**Standard Specification:**

- Material: glass/metal
- Fits in the following holders:
  - Essentials (40 369)
  - Essentials Cube (40 508)
  - Bau Cosmopolitan (40 585)
  - Essentials Authentic (40 652)
- **GROHE StarLight** chrome finish

**Color:**

- 40394001 StarLight Chrome